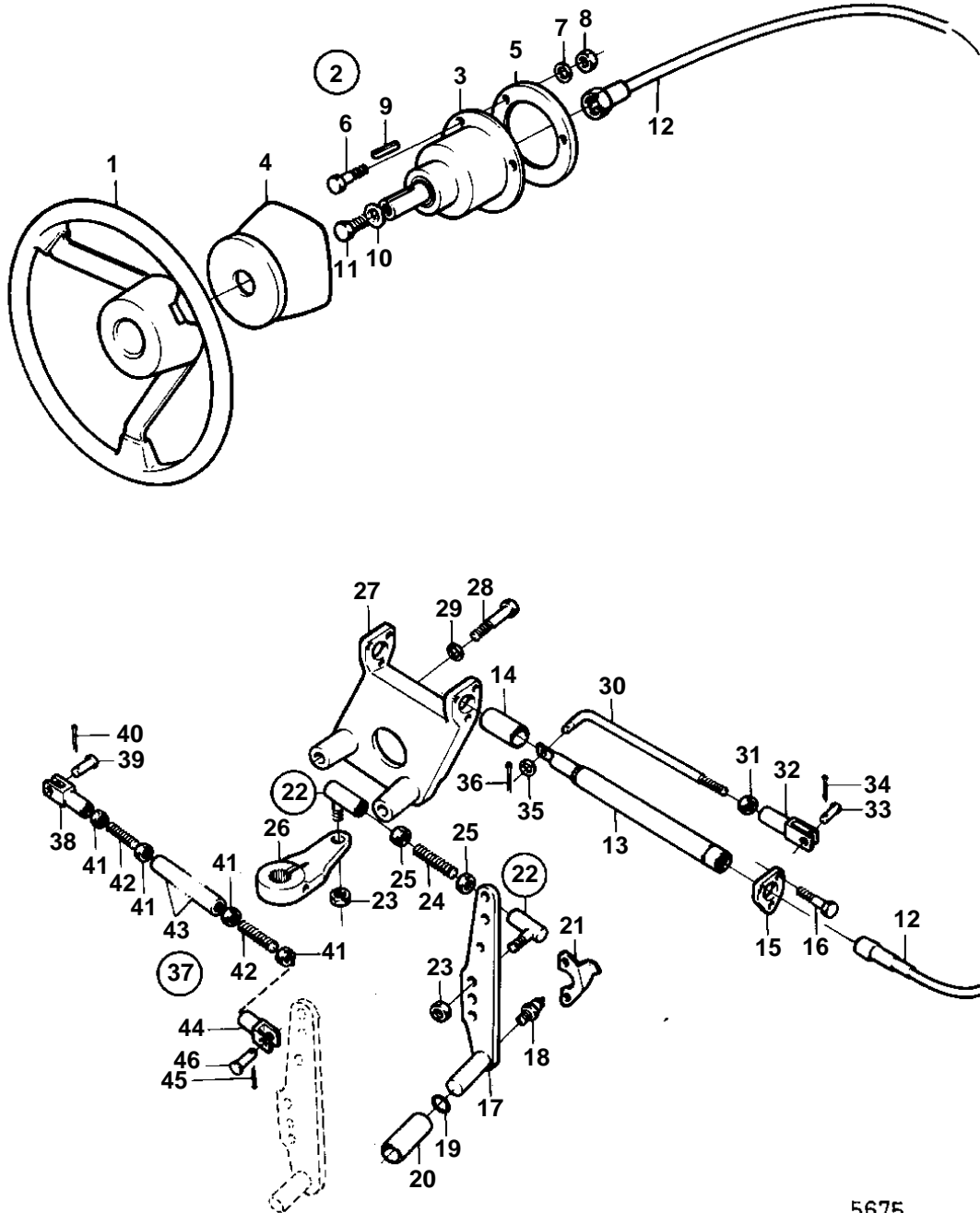


AQD21A



5675

AQD21A

REF	PART NO.	QTY	DESCRIPTION	NOTES
1	850936	1	Steering wheel	
2		1	Steering gear	
3		1	· STEERING GEAR	
4		1	· Cover	
5		1	· Washer	
6	940101	3	· Hexagon screw	
7	955892	3	· Washer	
8	955781	3	· Hexagon nut	
9		1	· Key	
10		1	· Washer	
11	940148	1	· Hexagon screw	
12		X	Steering cable	L = 2500 MM
		X	Steering cable	L = 2750mm
		X	Steering cable	L = 3000 MM
		X	Steering cable	L = 3250mm
		X	Steering cable	L = 3500mm
		X	Steering cable	L = 3750 MM
		X	Steering cable	L = 4000 MM
		X	Steering cable	L = 4250 MM
		X	Steering cable	L = 4500 MM
		X	Steering cable	L = 4750mm
		X	Steering cable	L = 5000 MM
		X	Steering cable	L = 5250mm
		X	Steering cable	L = 5500 MM
		X	Steering cable	L = 5750mm
		X	Steering cable	L = 6000 MM
		X	Steering cable	L = 6500mm
		X	Steering cable	L = 7000 MM
		X	Steering cable	L = 7500 MM
		X	Steering cable	L = 8000 MM
13		1	Steering cylinder	SINGLE ENGINE INSTALLATION.
		1	Steering cylinder	MARKED2,INSTALL. IN PUMP HOUSING MARKED2.
14		1	· Spacer sleeve	
15		1	· Washer	
16		3	· Hexagon screw	
17		1	Link arm	
18	914169	1	Lubricating nipple	
19	955906	1	Washer	
20	850653	1	Bushing	SEE GROUP 4A
21	850489	1	Stop arm	
22		2	Ball joint	(850737)
23	950378	2	· Lock nut	MO-XXXX/212470
	851326	2	· Nut	MOXXXX/212471-
24	850736	1	Control rod	
25	940152	2	Hexagon nut	
26	850488	1	Spindle arm	SEE GROUP 4A
27		1	Guide bracket	
28	955541	2	Hexagon screw	
29	942336	2	Spring washer	
30		1	Link rod	
31	940154	1	Hexagon nut	
32		1	Fork	
33	913158	1	Clevis pin	
34	907856	1	Split pin	
35	940097	1	Washer	
36	964960	1	Split pin	
37		1	Tie rod	REPLACED BY 837347,837348,837349 AND CONNECTING COMPONENT S FOR NEW PIPES, MARKED1,INSTALL. IN PUMP HOUSING MARKED1.
		1	Tie rod	REPLACED BY 837347,837348,837349 AND CONNECTING COMPONENT S FOR NEW PIPES, NOT INCLUDED IN 839230.
38		1	· Fork	
39	913158	1	· Clevis pin	
40	907856	1	· Split pin	

